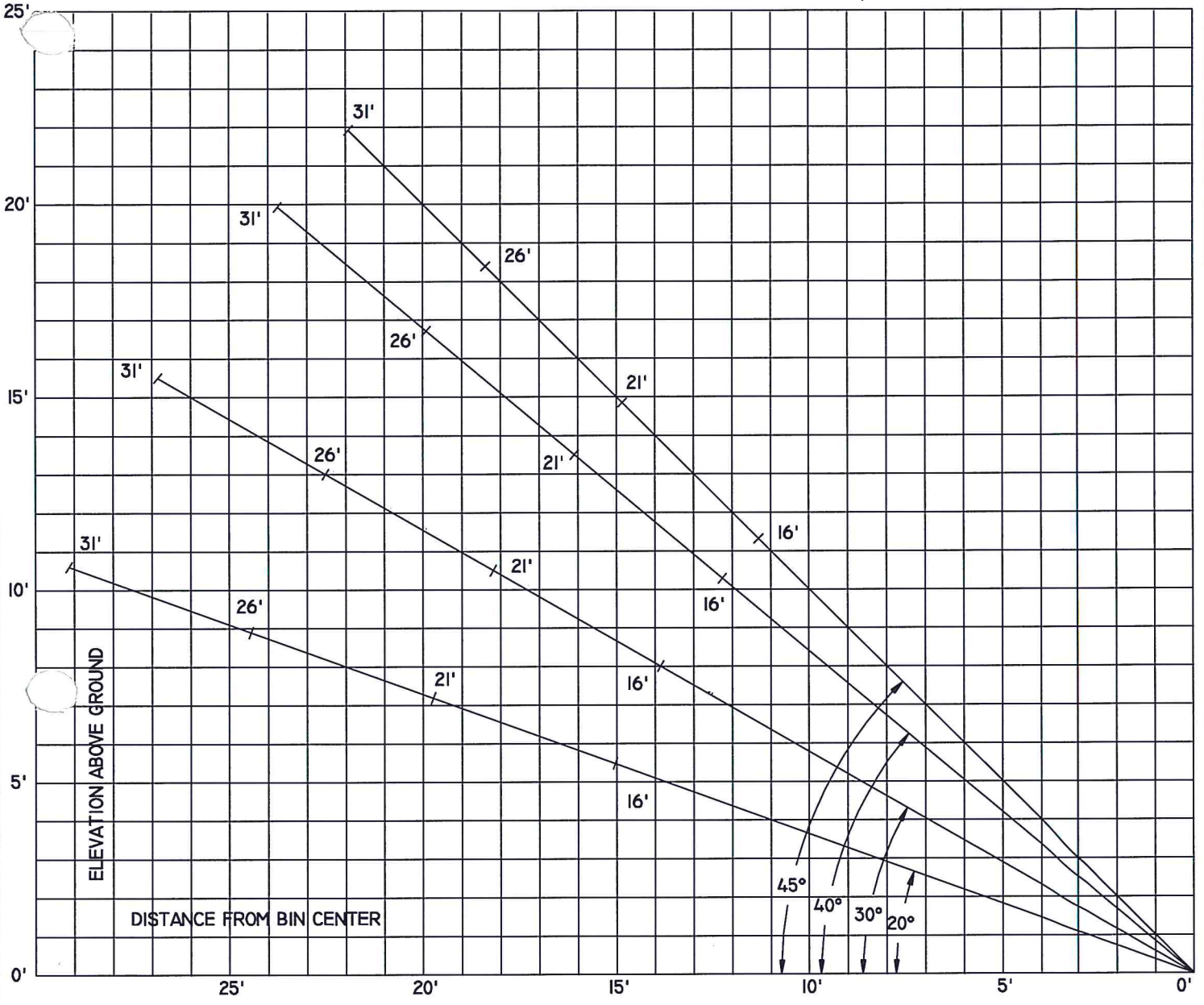
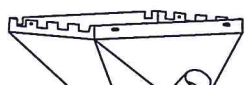


# AUGER BOOT SELECTION CHART



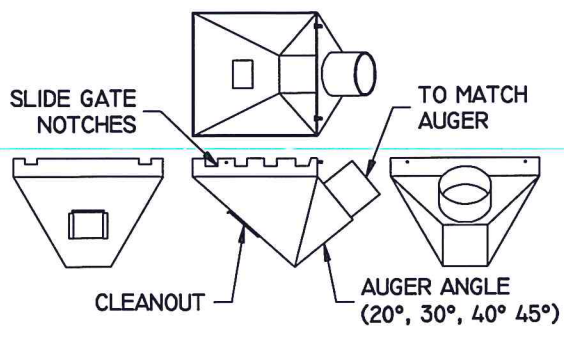
LOOSE FIT BOOT



FLEX BOOT  
w/ BEARING & SHAFT



FLANGED BOOT



THIS DRAWING IS THE EXCLUSIVE PROPERTY OF MERIDIAN MANUFACTURING GROUP AND MAY NOT BE DUPLICATED BY ANY MEANS WITHOUT THE SPECIFIC PERMISSION OF MERIDIAN MANUFACTURING GROUP



CUSTOMER:  
BINFAM - BOOTS & CHART (7)

DRAWN BY: DL(5/19/11)  
DATE DRAWN: 05/08/08

PROJECT PARTS LIST